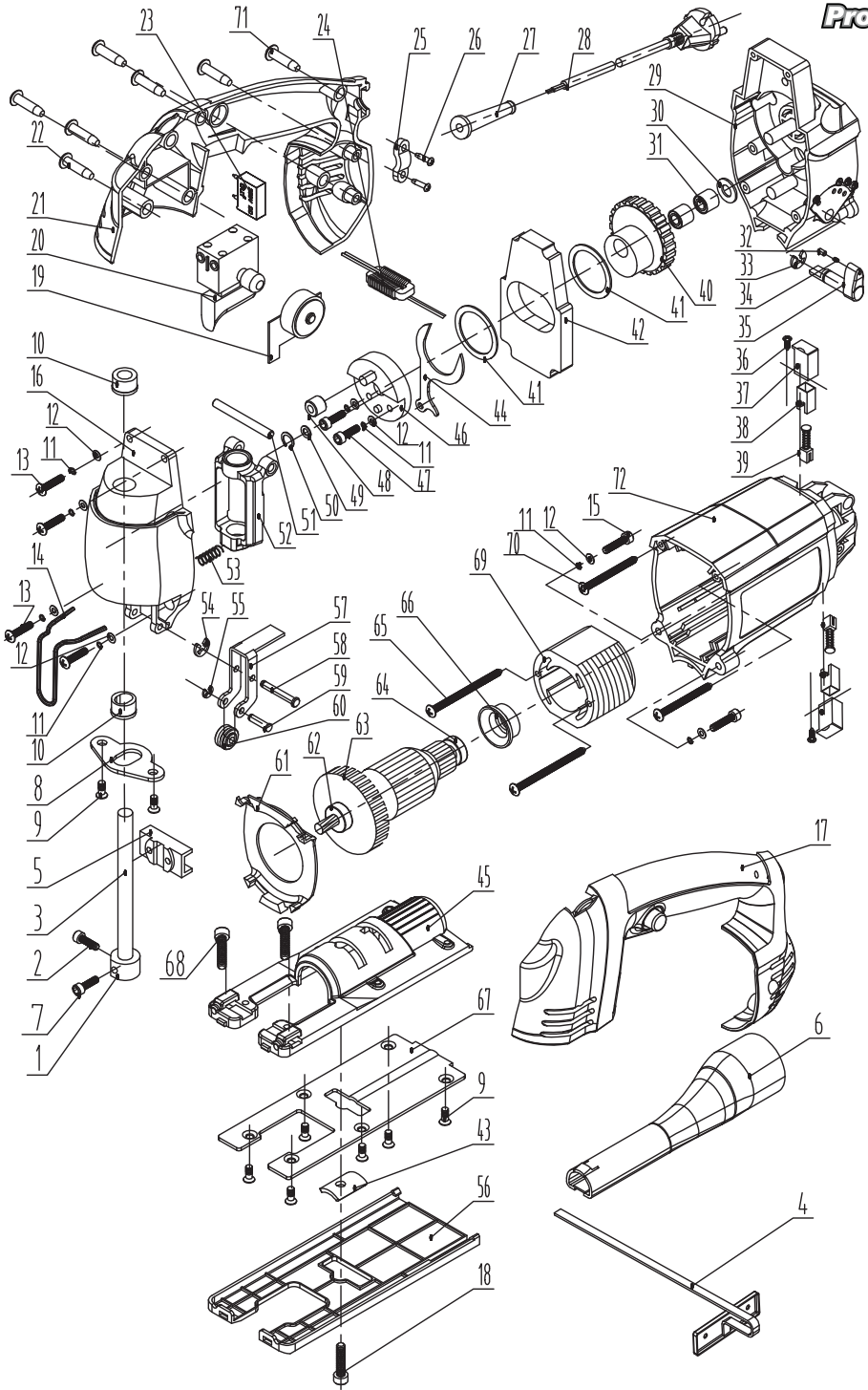


RAIDER[®] Pro



Number	Name	QTY	Number	Name	QTY
1	Knife holder	1	53	holder Spring	1
2	Inner hex.screw M4x12	1	54	Open retaining ring 4	1
3	Guide	1	55	Open retaining ring 3	1
4	Ruler	1	56	Base cover	1
5	"Reciprocating rod chute"	1	57	Knife lifter	1
6	Adapter	1	58	Excenter shaft	1
7	Inner hex.screw M4x8	1	59	Pin for roller	1
8	"Oil seal plate "	1	60	Pin for roller	1
9	ScrewM4x8	8	61	Wind ring	1
10	Sliding block	2	62	Ball bearing629	1
11	φ4Spring washer	8	63	Armature	1
12	φ4Washer	8	64	Ball bearing607	1
13	ScrewM4x16	4	65	ScrewM4x65	2
14	Protective steel wire	1	66	"Rubber bearing sleeve"	1
15	ScrewM4x12	2	67	Base Plate	1
16	Front cover	1	68	Inner hex.screwM4X6	2
17	Handle	1	69	Stator	1
18	Inner hex.screw M5x16	1	70	Screw st4.2x25	2
19	wheel switch	1	71	Screw st3x12	1
20	Switch	1	72	Housing	1
21	Handle	1	73	Base board	1
22	Screw st4.2x18	6			
23	Condenser0.22uF	1			
24	Inductance	1			
25	Cord clip	1			
26	Screw st4.2x12	2			
27	Rubber sleeve	1			
28	Cord	1			
29	Middle cover	1			
30	Washer	1			
31	Needle bearing081210	2			
32	Copper	1			
33	Open retaining ring6	1			
34	Spring	1			
35	Knob Assembly	1			
36	Screw st3x8	2			
37	Brush holder	2			
38	Brush cover	2			
39	Brush	2			
40	Gear	1			
41	Washer	2			
42	Counterweight	1			
43	Clamp plate	1			
44	Swing gasket	1			
45	Base	1			
46	Gear eccentric block	1			
47	Inner hex.screw M4x12	2			
48	Roller	1			
49	Washer8(8.1*11.5*0.8)	2			
50	Circlip for haft8	1			
51	holder Pin	1			
52	Reciprocating holder	1			